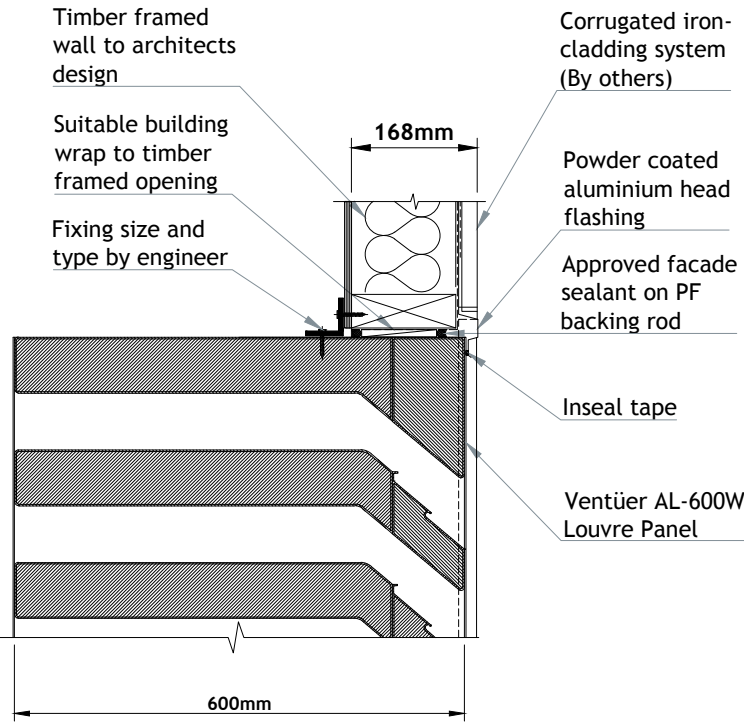
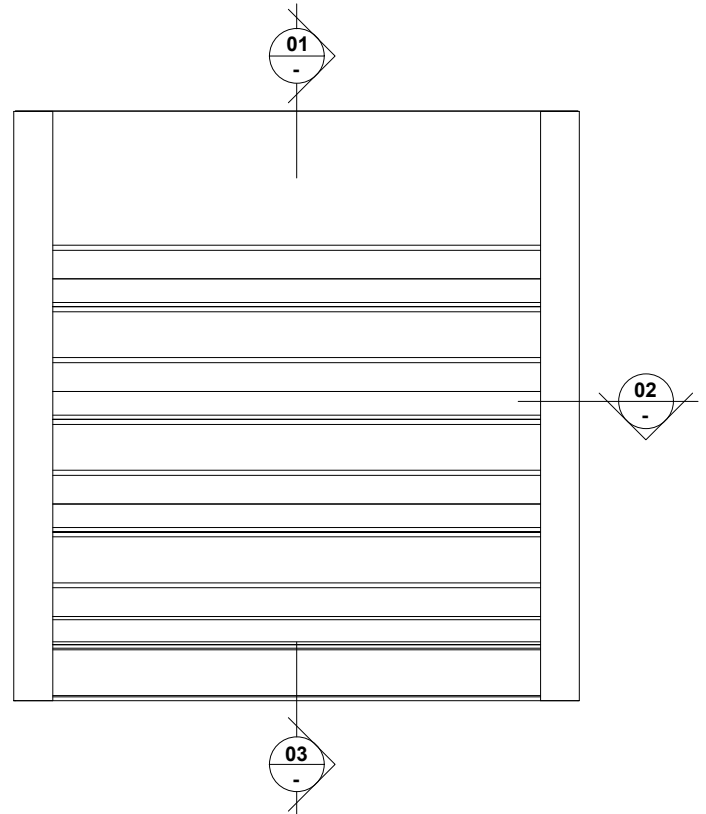


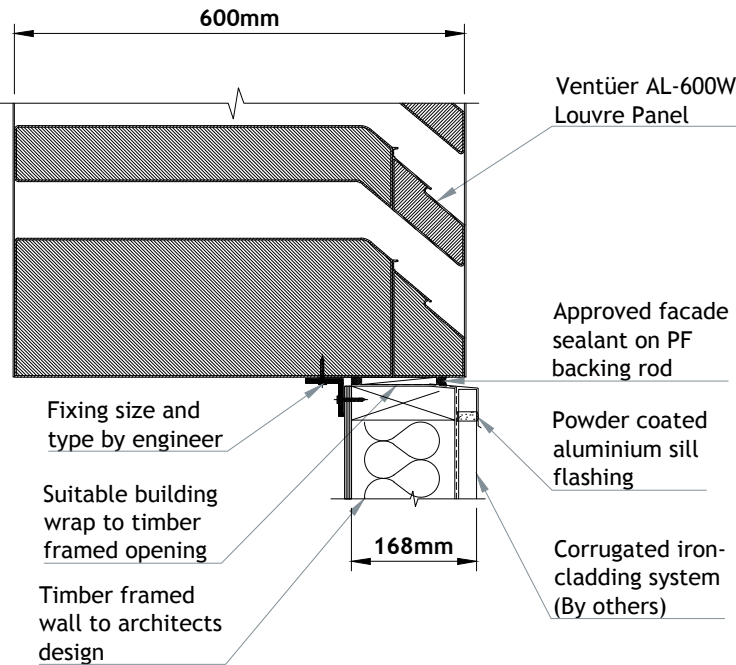
# VENTÜER TECHNICAL DATA SHEET



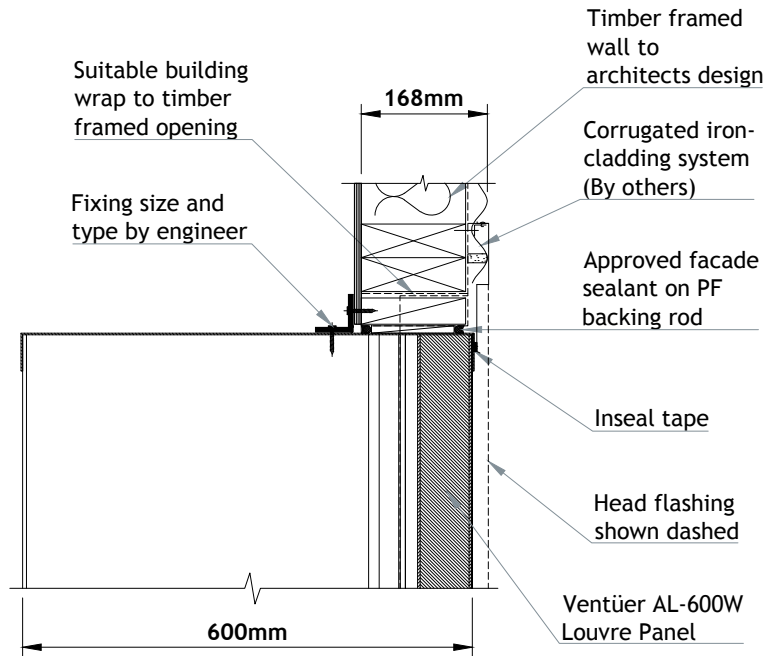
**AL-600W (CHANNEL FRAME)  
HEAD DETAIL 01  
SCALE 1 : 10**



**AL-600W LOUVRE (CHANNEL FRAME)  
SCALE - NTS**



**AL-600W (CHANNEL FRAME)  
SILL DETAIL 03  
SCALE 1 : 10**



**AL-600W (CHANNEL FRAME)  
JAMB DETAIL 02  
SCALE 1 : 10**

**ACOUSTIC LOUVRE**

**AL-600W**

FIXING TO VERTICAL CORRUGATED IRON



**VENTÜER**  
High-Performance Building Ventilation

P: +64 9 973 3616  
W: ventuer.co.nz  
© 2019 All rights reserved

Scale: 1 : 10  
Date: 05/07/2019

**AL-600W Ver.1**