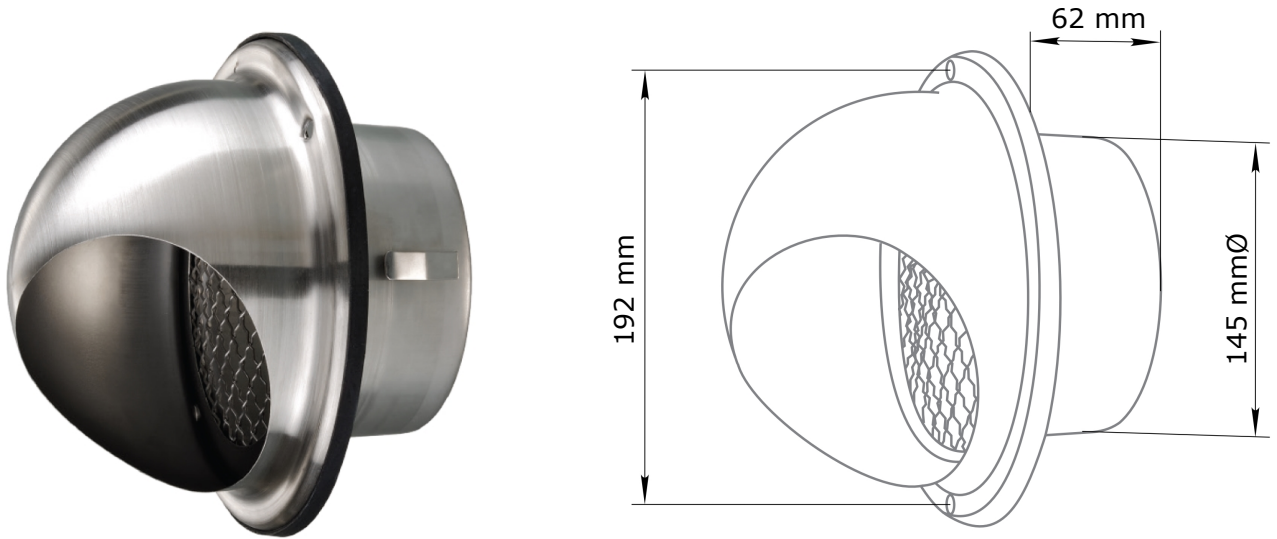


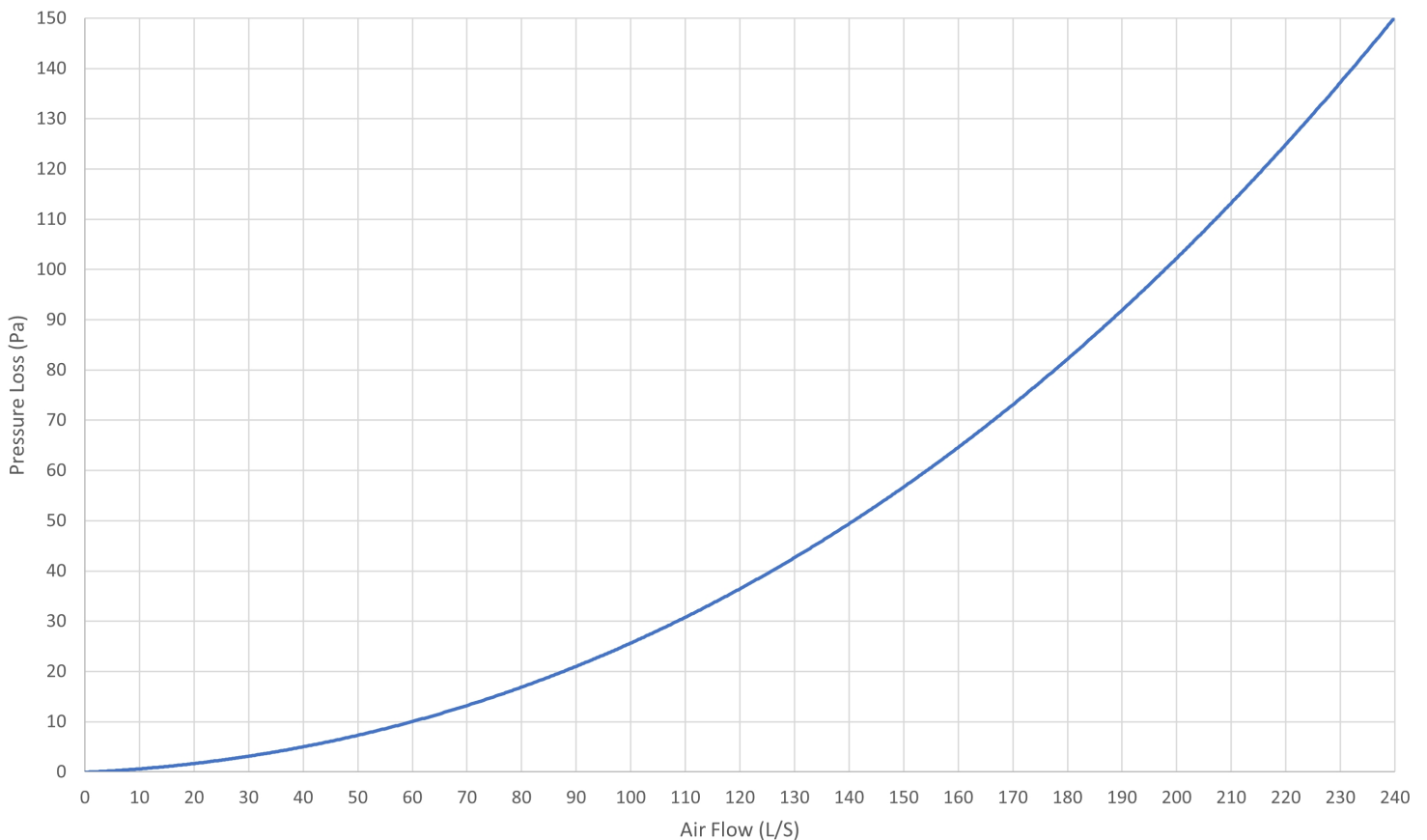
VENTÜER TECHNICAL DATA SHEET

The Ventüer stainless steel ventilation dome with bird mesh is designed for use as either an intake or exhaust façade vent. Constructed from high quality durable 304 Stainless Steel with brushed finish, and fitted with a moulded rubber sealing ring that provides excellent weather protection.

Available in multiple sizes.



Airflow Performance - 150mm Stainless Steel Dome with Bird Mesh



Ventilation Dome

150mm Stainless Steel
with Bird Mesh



VENTÜER
High-Performance Building Ventilation

P: +64 9 973 3616
W: ventuer.co.nz
© 2019 All rights reserved

Scale:

Date:

NTS

25/09/2023

LFDSM-150

Ver.1