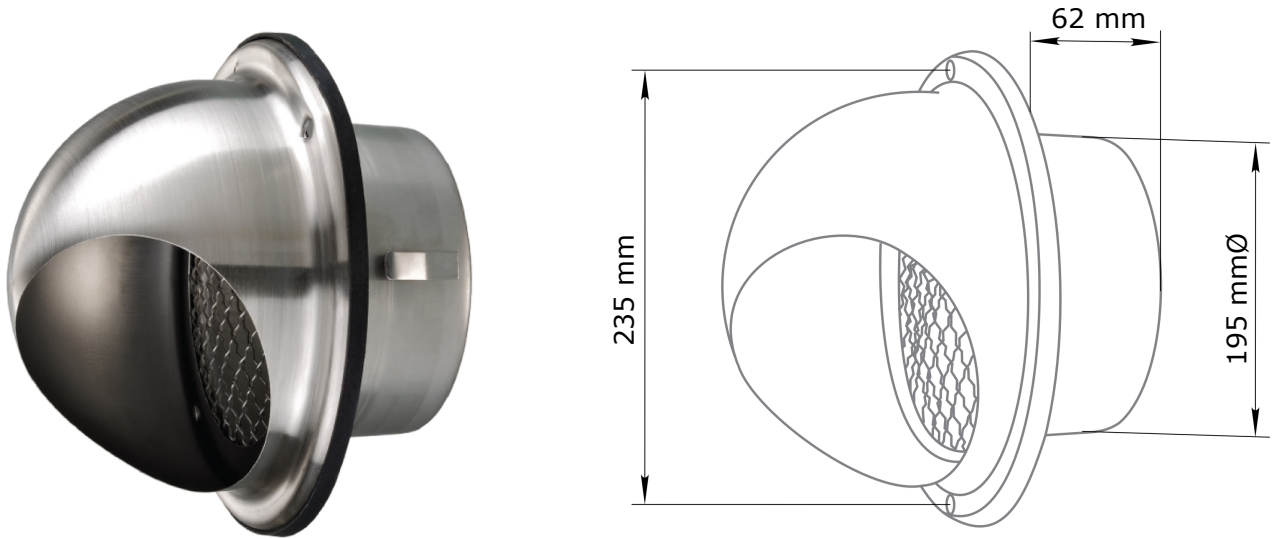


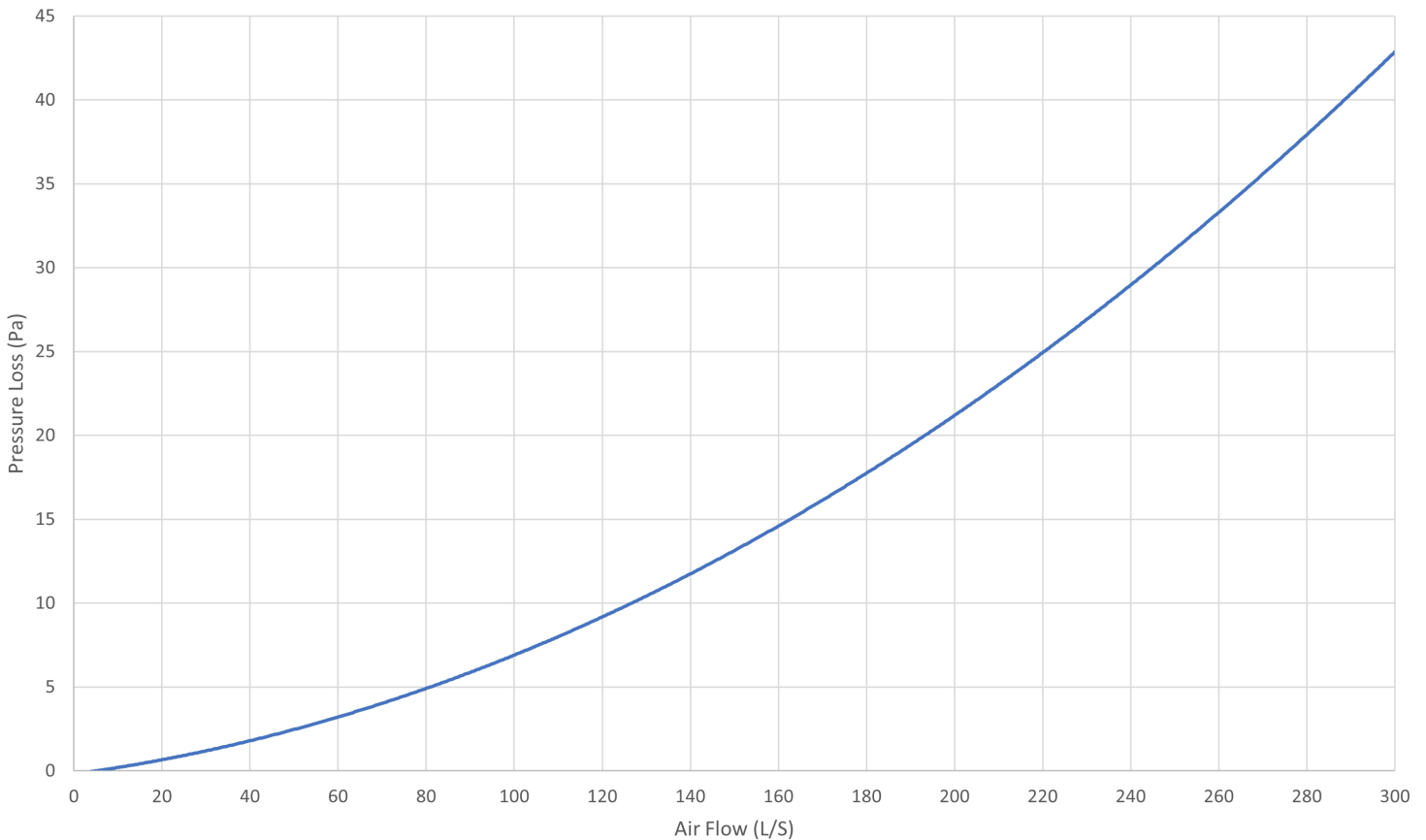
# VENTÜER TECHNICAL DATA SHEET

The Ventüer stainless steel ventilation dome with bird mesh is designed for use as either an intake or exhaust façade vent. Constructed from high quality durable 304 Stainless Steel with brushed finish, and fitted with a moulded rubber sealing ring that provides excellent weather protection.

*Available in multiple sizes.*



Airflow Performance - 200mm Stainless Steel Dome with Bird Mesh



## Ventilation Dome

200mm Stainless Steel  
with Bird Mesh



**VENTÜER**  
High-Performance Building Ventilation

P: +64 9 973 3616  
W: ventuer.co.nz  
© 2019 All rights reserved

Scale:

Date:

NTS  
25/09/2023

LFDSM-200

**Ver.1**