



LOUVRE WINDOWS



VENTÜER
Engineered Ventilation Products & Systems



While we have made every attempt to ensure that the information contained in this document is accurate, Ventüer is not responsible for any errors or omissions, or for the results obtained from the use of the information. Due to a policy of continuous development and improvement, the right is reserved to supply products which may differ slightly from those described in this document.

OUR MISSION

To supply engineered ventilation products and systems that enable our clients to create healthy, comfortable and code-compliant buildings.

Ventilation of indoor spaces has never been more important, with an increasing percentage of the world's population spending more time living, working and playing indoors.

Recognising the need for ventilation is easy. Delivering products and systems that create a healthy and comfortable indoor environment, comply with building code requirements, and work with the other building elements is not.

Ventüer works with architects, builders and installation contractors. Since 2009 we have been designing, manufacturing and guaranteeing ventilation products and systems for a wide range of commercial, industrial and residential construction projects.

When partnering with Ventüer, you can have confidence that the ventilation products and systems provided to your construction project are well designed, fit for purpose and code-compliant. We eliminate the risks associated with incorrect product selection or poor installation methodology, leaving you with high performing buildings that deliver health, comfort and safety to their occupants.

We take the responsibility, the risk and the care.

You take the credit for the successful end result.

PROJECT
TU Building

LOCATION
Hamburg, Germany

PRODUCT
HAHN-S9iVT



LOUVRE WINDOWS

The Ventüer Louvre Windows have been created with one goal in mind: to enable practically functional natural ventilators and smoke exhausts to be aesthetically beautiful.

A wide range of glazing options, frame types, colours, sizes and control methods allow a high degree of design flexibility and enables the façade ventilators to be proudly portrayed as a design feature, instead of having to be hidden away.

BEYOND SKIN DEEP

Not just decorative elements, the Ventüer louvre windows offer many functional benefits.

ENERGY EFFICIENCY

The energy consumption of a building can be significantly reduced by utilising a ventilation strategy that includes louvre windows for night cooling and natural ventilation. The double or triple glazed and thermally broken frame options for the Ventüer louvre windows also minimises heat loss when closed, making them ideal for colder climates.

SMOKE VENTILATION

Ventüer louvre windows are tested and certified to comply as smoke ventilators. With appropriate connection to the building management system the louvres can be opened in response to the fire alarm, thus enabling escape routes to be kept clear and ensuring rescue teams have maximum visibility. Due to a high open area percentage, louvre windows are significantly better than traditional windows for smoke exhaust.

ADDITIONAL SECURITY

An obvious advantage: louvre windows, with appropriate glazing and sealing, protect building contents by providing protection against burglary. Ventüer louvre windows also provide certified fall protection, and remove the requirement for unsightly safety bars.

EASY TO CLEAN

The centrally pivoting blades of Ventüer louvre windows can open up to 89° which allows easy cleaning of the external surface from the inside, removing the need for access equipment outside the building.

RAPID AIR EXCHANGE RATES

Thanks to the large free area created when louvre windows are opened, rapid air changes are naturally achieved. This provides the perfect solution for naturally ventilating classrooms, offices and homes.

HEALTH AND SAFETY

Ventüer louvre windows offer enhanced safety by using motor drives that include anti finger trap protection.

RANGE OVERVIEW



HAHN-S9iVA

Double or triple-glazed, thermally broken flush glazed louvre blades. The Ventüer HAHN-S9iVA louvre window provides excellent ventilation, weather tightness and thermal protection with a clear flush all-glass look to outside of units for seamless integration into the facade design.

[Page 8]



HAHN-S9iVT

Thermally broken, aluminium framed double glazed glass louvre blades. The Ventüer HAHN-S9iVT louvre window offers increased thermal protection and excellent weather tightness and ventilation characteristics. Also available with optional triple glazing.

[Page 12]



HAHN-S9iV

Double-glazed, non-thermally broken aluminium framed glass louvre blades. The Ventüer HAHN-S9iV louvre window ensures maximum ventilation and weather tightness at low cost wherever thermally broken frames are not required. The blades have a framed appearance with slim aluminium profiles surrounding each louvre.

[Page 14]



HAHN-S945

Single-glazed flush closing louvre blades with point-fixed pivots. The Ventüer HAHN-S945 louvre window has an architecturally appealing design with 45° chamfered blades closing flush leading to a smooth glass surface. It has a maximum of 84° opening with no additional blade frames surrounding providing as much free ventilation area as possible.

[Page 18]



HAHN-S9

Single-glazed overlapping louvre blades with slim side glass fixings. The Ventüer HAHN-S9 louvre window has been developed for optimized, controlled ventilation. It combines good weather tightness with attractive architectural effect when insulated glazing is not necessary.

[Page 20]



PROJECT

Kreiskliniken Hospital

LOCATION

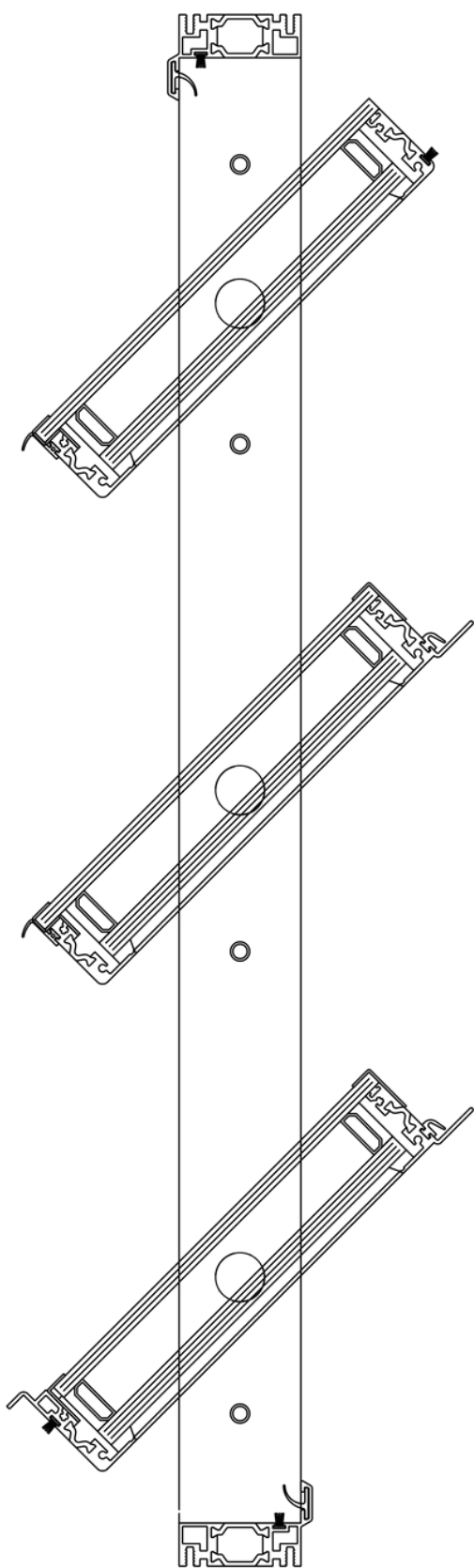
Altötting, Germany

PRODUCT

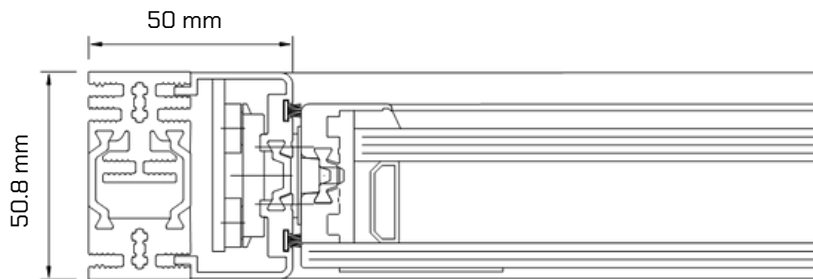
HAHN-S9iVT

HAHN-S9iVA

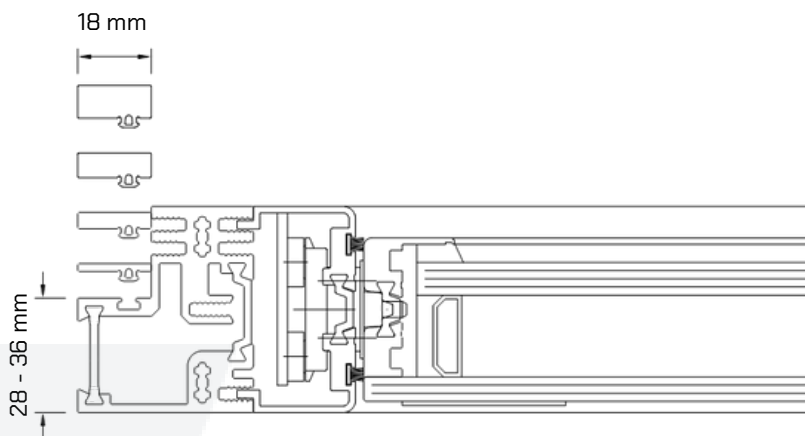
Double or triple-glazed, thermally broken flush glazed louvre blades. The Ventüer HAHN-S9iVA louvre window provides excellent ventilation, weather tightness and thermal protection with a clear flush all-glass look to outside of units for seamless integration into the facade design.



HAHN-S9iVA Frame Type 1
 For fixing to structurally framed openings such as steel or timber.



HAHN-S9iVA Frame Type 2
 For installation into glazing pockets of window joinery. Packers available to suit different size glazing pockets.



TECHNICAL DATA | HAHN-S9iVA

PROFILES	Window frame Louvre blade frame	Aluminium, thermally broken Aluminium, thermally broken
DIMENSIONS	Frame width Frame height Louvre blade height Frame depth Max. opening angle	Min. 250 mm, max. 1600 mm Min. 250 mm, up to any height Min. 200 mm, max. 350 mm 47 mm / 50,4 mm 84°
GLAZING	Glazing Glass thickness Standard glazing Glass types Alternative infill types	Insulated glass [double/triple] 32 / 34 mm 4 / 20 / 8 6 / 20 / 8 Float, Toughened, Laminated, Semi-Tempered. Outer pane is always made of toughened glass. Insulated Aluminium Panel, Facade panel
OPERATION		Manually, electrically, pneumatically
SURFACE		Anodised / Powdercoated finish
PERFORMANCE	CE certified [EN 12101-2] Aerodynamic Performance Cv Air permeability [EN 12207] Watertightness [EN 12208] Resistance against wind load [EN 12210] Uw-Value [EN ISO 10077] Further characteristics	Smoke vent 0,54 Class 3 Class 4A Certified Uw [max] = 1,7 W/m2K Ball protection proof [DIN 18032-3]



PROJECT

Naspa - Nassuaische
Sparkasse

LOCATION

Weisbaden, Germany

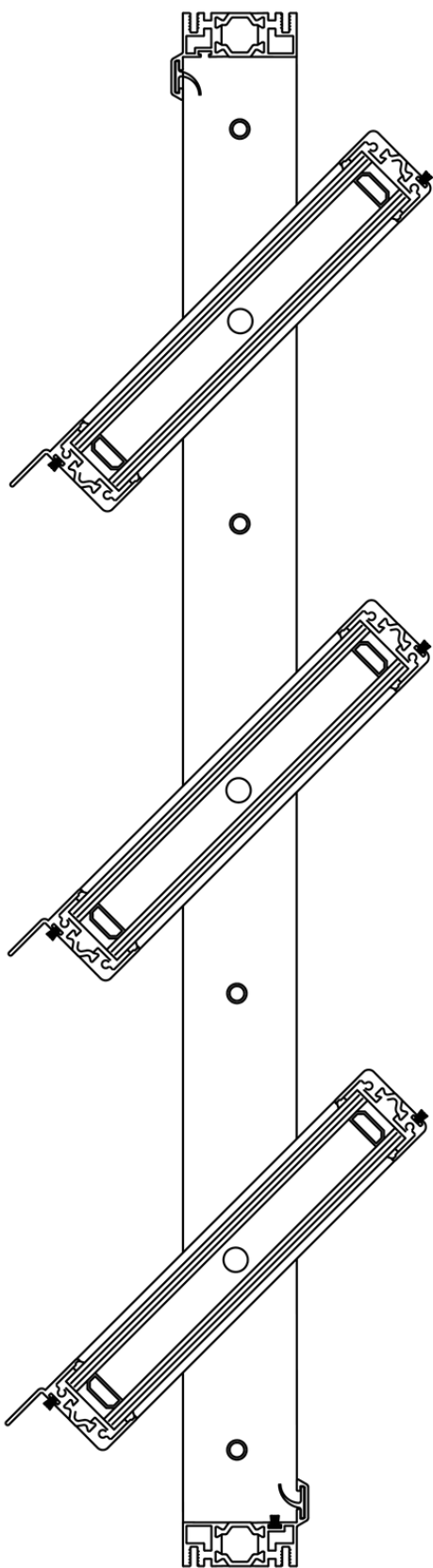
PRODUCT

HAHN-naco



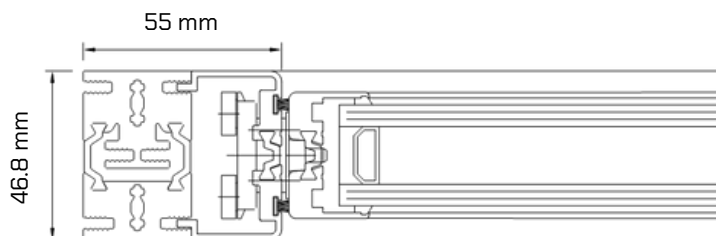
HAHN-S9iVT

Thermally broken, aluminium framed double glazed glass louvre blades. The Ventüer HAHN-S9iVT louvre window offers increased thermal protection and excellent weather tightness and ventilation characteristics. Also available with optional triple glazing.



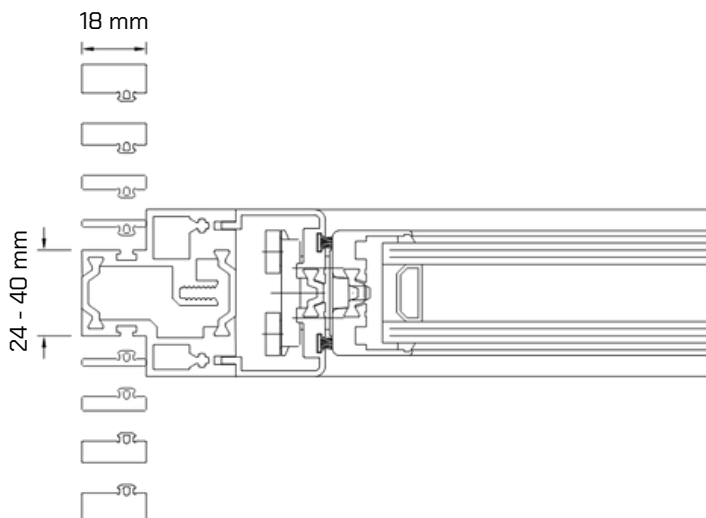
HAHN-S9iVT Frame Type 1

For fixing to structurally framed openings such as steel or timber.



HAHN-S9iVT Frame Type 2

For installation into glazing pockets of window joinery. Packers available to suit different size glazing pockets.



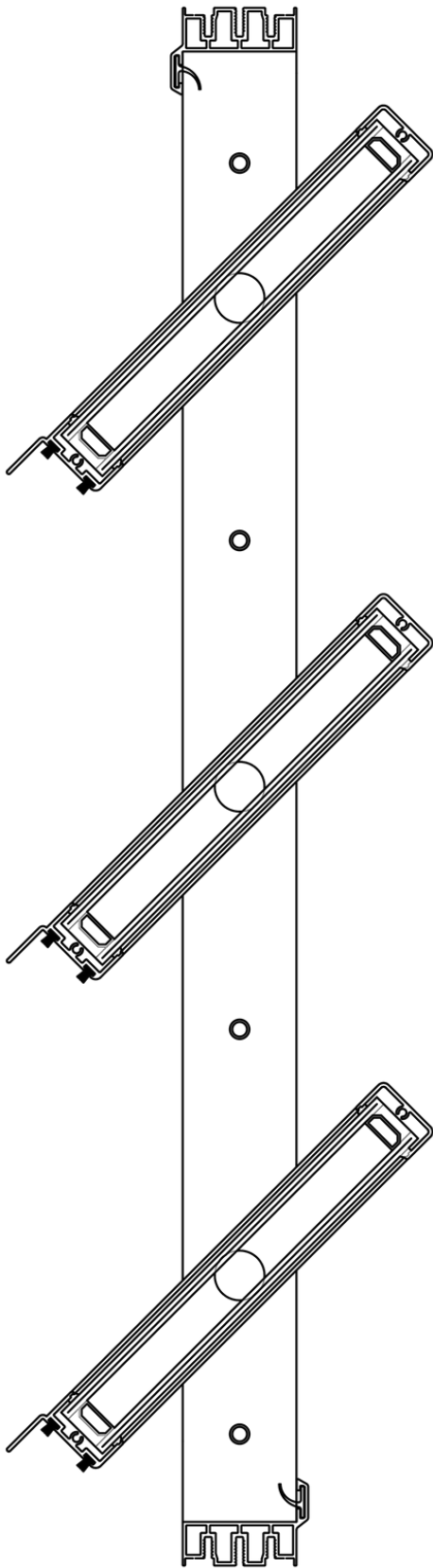
TECHNICAL DATA | HAHN-S9iVT

PROFILES	Window frame Louvre blade frame	Aluminium, thermally broken Aluminium, thermally broken
DIMENSIONS	Frame width Frame height Louvre blade height Frame depth Max. opening angle	Min. 250 mm, max. 2000 mm Min. 200 mm, up to any height Min. 150 mm, max. 400 mm [>350 mm to be checked in particular cases] 47 mm 84°
GLAZING	Glazing Glass thickness Standard glazing Glass types Alternative infill types	Insulated glass (double/triple) 28 / 32 mm 6 / 16 / 6 6 / 20 / 6 Float, Toughened, Laminated, Semi-tempered Insulated aluminium panel
OPERATION		Manual, electrically, pneumatically
SURFACE		Anodised / Powdercoated finish
PERFORMANCE	CE certified [EN 12101-2] Aerodynamic Performance Cv Air permeability [EN 12207] Watertightness [EN 12208] Resistance against wind load [EN 12210] Uw-Value [EN ISO 10077] Further characteristics	Smoke vent 0,56 Class 3 Class 4A Certified Uw (max) = 1,6 W/m ² K Burglar proof RC2 Ball protection proof [DIN 18032-3] Sound insulation 38dB [EN 14351-1] Fall protection proof [TRAV 2003]



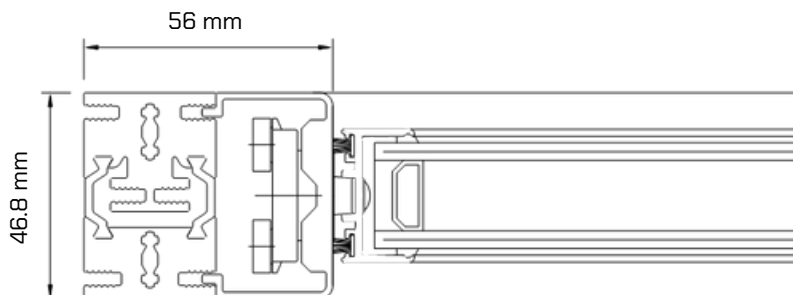
HAHN-S9iV

Double-glazed, non-thermally broken aluminium framed glass louvre blades. The Ventüer HAHN-S9iV louvre window ensures maximum ventilation and weather tightness at low cost wherever thermally broken frames are not required. The blades have a framed appearance with slim aluminium profiles surrounding each louvre.



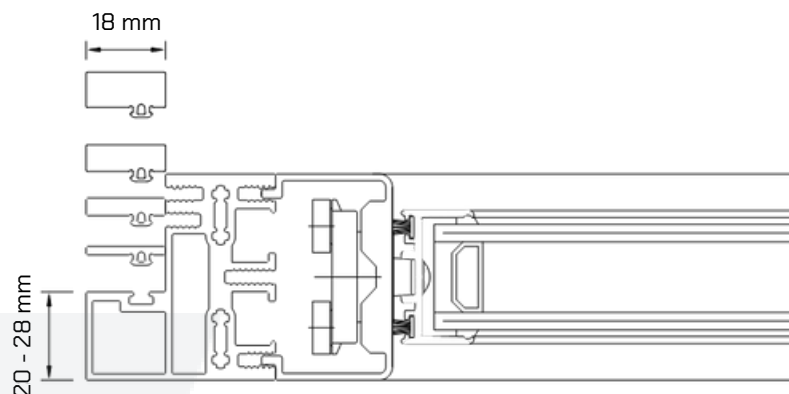
HAHN-S9iV Frame Type 1

For fixing to structurally framed openings such as steel or timber.



HAHN-S9iV Frame Type 2

For installation into glazing pockets of window joinery. Packers available to suit different size glazing pockets.



TECHNICAL DATA | HAHN-S9iV

PROFILES	Window frame Louvre blade frame	Aluminium, non-thermally broken Aluminium, non-thermally broken
DIMENSIONS	Frame width Frame height Louvre blade height Frame depth Max. opening angle	Min. 250 mm, max. 1800 mm Min. 200 mm, up to any height Min. 150 mm, max. 350 mm 46 mm 84°
GLAZING	Glazing Glass thickness Standard glazing Glass types Alternative infill types	Insulated glass (double) 24 mm 4 / 16 / 4 Float, Toughened, Laminated, Semi-Tempered Insulated Aluminium panel
OPERATION		Manual, electrically, pneumatically
SURFACE		Anodised / Powdercoated finish
PERFORMANCE	CE certified [EN 12101-2] Aerodynamic performance Cv Air permeability [EN 12207] Watertightness [EN 12208] Resistance against wind load [EN 12210] Uw-Value [EN ISO 10077]	Smoke vent 0,59 Class 2 Class 3A Certified Uw (max) = 2,1 W/m2K







PROJECT

Eberspaecher Wilsdruff

LOCATION

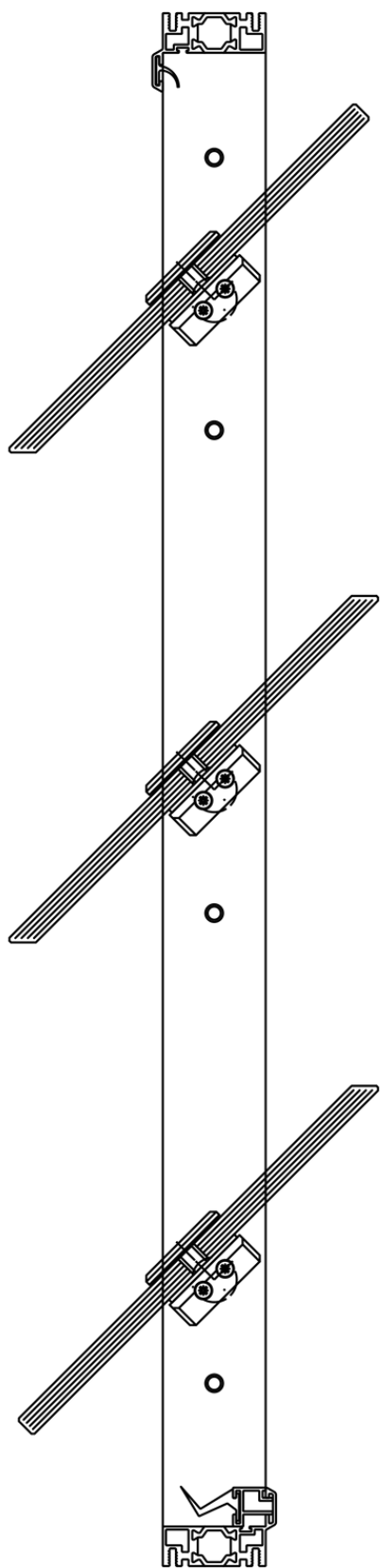
Wilsdruff, Germany

PRODUCT

HAHN-S9iVT

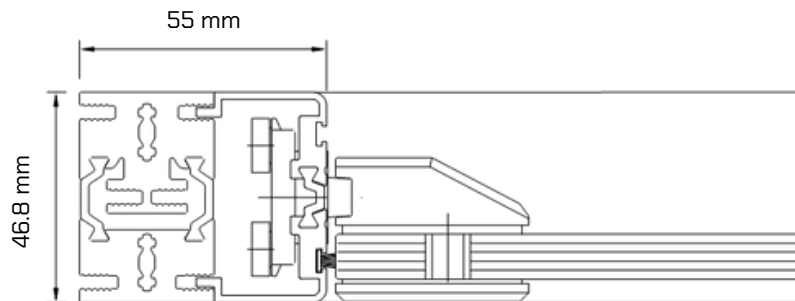
HAHN-S945

Single-glazed flush closing louvre blades with point-fixed pivots. The Ventüer HAHN-S945 louvre window has an architecturally appealing design with 45° chamfered blades closing flush leading to a smooth glass surface. It has a maximum of 84° opening with no additional blade frames surrounding providing as much free ventilation area as possible.



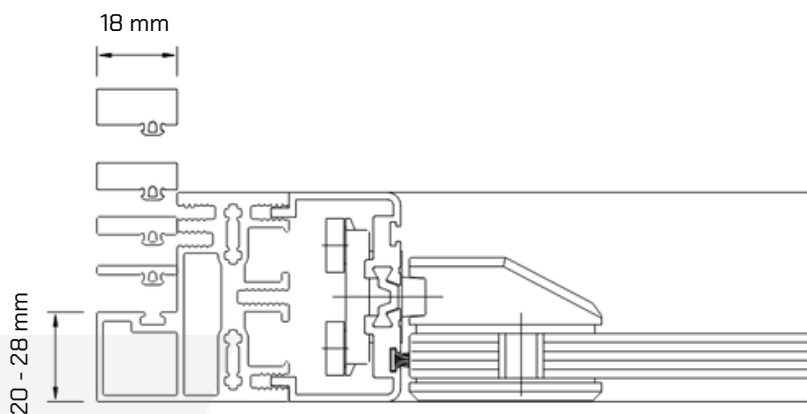
HAHN-S945 Frame Type 1

For fixing to structurally framed openings such as steel or timber.



HAHN-S945 Frame Type 2

For installation into glazing pockets of window joinery. Packers available to suit different size glazing pockets.



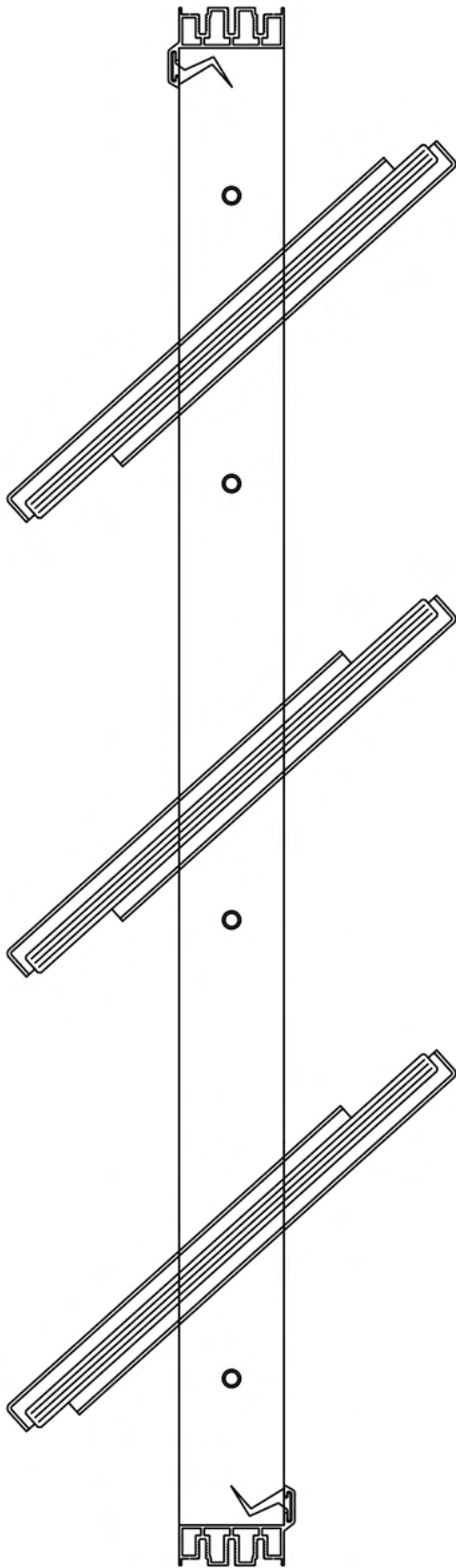
TECHNICAL DATA | HAHN-S945

PROFILES	Window frame Louvre blade frame	Aluminium, thermally broken Frameless
DIMENSIONS	Frame width Frame height Louvre blade height Frame depth Max. opening angle	Min. 250 mm, max. 1600 mm Min. 225 mm, up to any height Min. 180 mm, max. 300 mm 47 mm 84°
GLAZING	Glazing Glass thickness Standard glazing Glass types Alternative infill types	Single glass 8 / 10 / 12 mm – Toughened, Laminated Timber, aluminium, stone panels and many more
OPERATION		Manual, electrically, pneumatically
SURFACE		Anodised / Powdercoated finish
PERFORMANCE	CE certified [EN 12101-2] Aerodynamic performance Cv Air permeability [EN 12207] Watertightness [EN 12208] Resistance against wind load [EN 12210] Uw-value [EN ISO 10077] Further characteristics	– – Class 2 Class 1A Certified – Sound insulation 26dB [EN 14351-1]



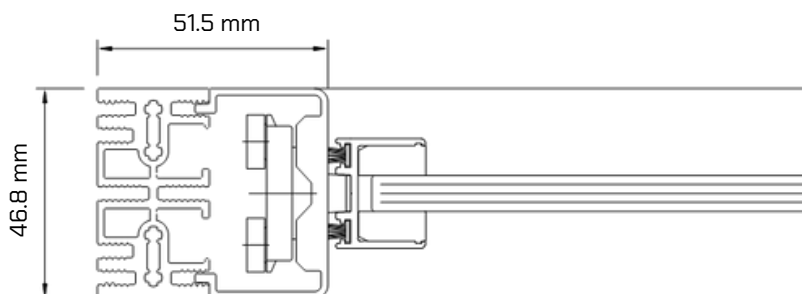
HAHN-S9

Single-glazed overlapping louvre blades with slim side glass fixings. The Ventür HAHN-S9 louvre window has been developed for optimized, controlled ventilation. It combines good weather tightness with attractive architectural effect when insulated glazing is not necessary.



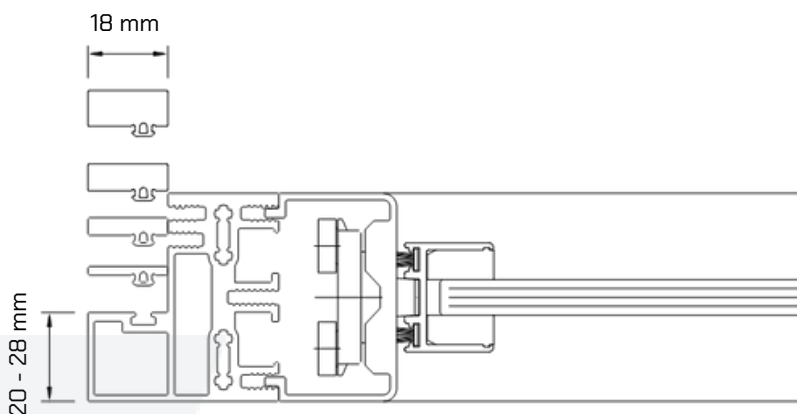
Hahn-S9 Frame Type 1

For fixing to structurally framed openings such as steel or timber.



Hahn-S9 Frame Type 2

For installation into glazing pockets of window joinery. Packers available to suit different size glazing pockets.



TECHNICAL DATA | HAHN-S9

PROFILES	Window frame Louvre blade frame	Aluminium, non-thermally broken Semi-frameless
DIMENSIONS	Frame width Frame height Louvre blade height Frame depth Max. opening angle	Min. 250 mm, max. 1600 mm Min. 200 mm, up to any height Min. 150 mm, max. 350 mm 46 mm 84°
GLAZING	Glazing Glass thickness Standard glazing Glass types Alternative infill types	Single glass 8 / 10 / 12 mm - Toughened, Laminated Timber, aluminium, stone panels.
OPERATION		Manually, electrically, pneumatically
SURFACE		Anodised / Powdercoated finish
PERFORMANCE	CE certified [EN 12101-2] Aerodynamic performance Cv Air permeability [EN 12207] Watertightness [EN 12208] Resistance against wind load [EN 12210] Uw-value [EN ISO 10077]	Smoke vent 0,65 Class 2 Class 3A Certified -





sales@ventuer.co.nz



www.ventuer.co.nz

North Island

 +64 9 973 3616

 10 Morrison Drive, Warkworth, Auckland 0910

South Island

 +64 3 928 5937

 34 Onslow Street, Invercargill 9812