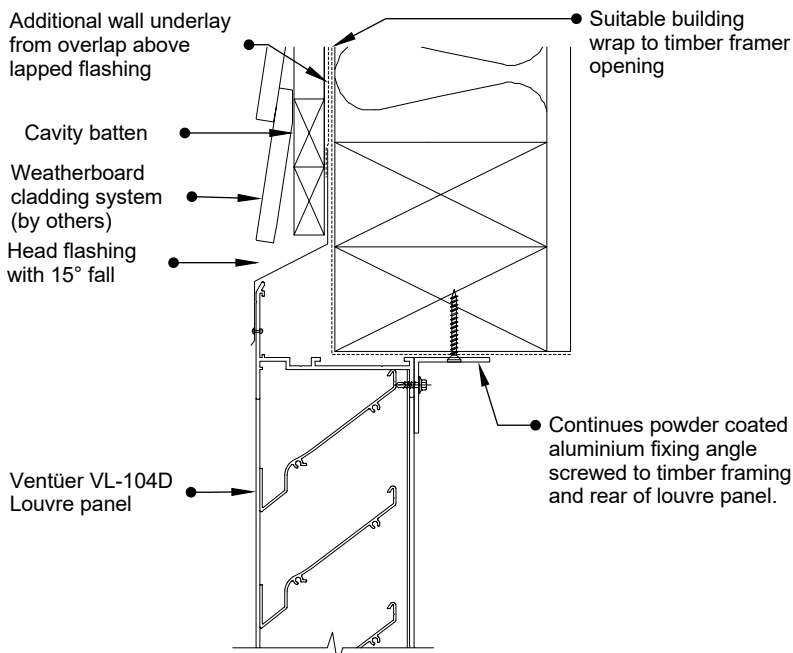
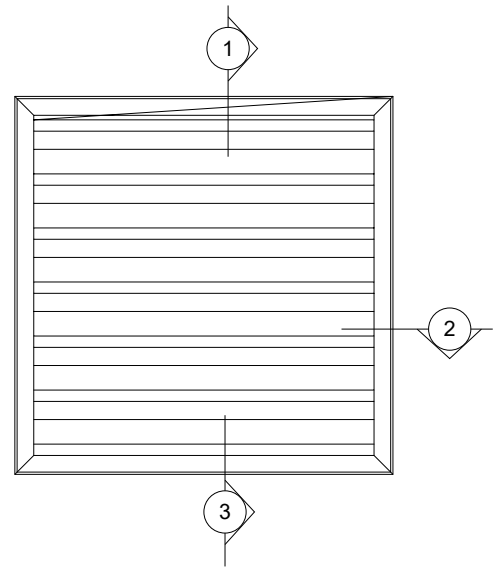


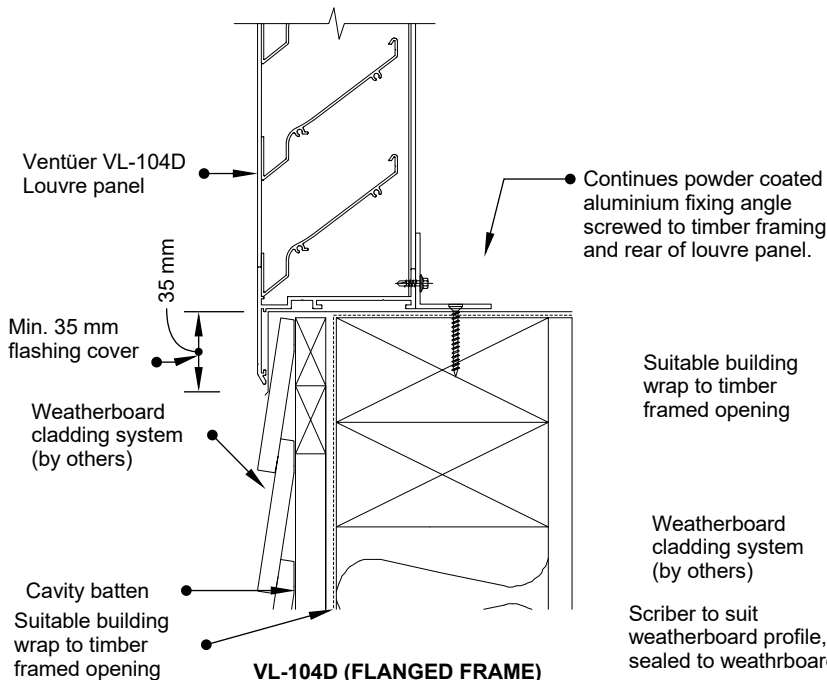
VENTÜER TECHNICAL DATA SHEET



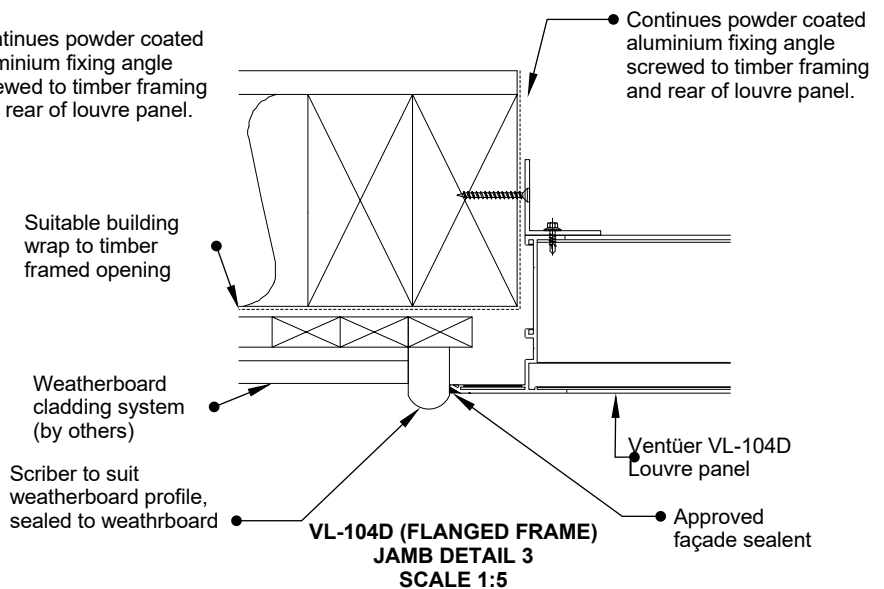
**VL-104D (FLANGED FRAME)
HEAD DETAIL 1
SCALE 1:5**



VL-104D LOUVRE (FLANGED FRAME)



**VL-104D (FLANGED FRAME)
SILL DETAIL 2
SCALE 1:5**



**VENTILATION LOUVRE
VL - 104D**

**FIXING TO WEATHERBOARD
CLADDING**



VENTÜER
High-Performance Building Ventilation

P: +64 9 973 3616
W: ventuer.co.nz
© 2019 All rights reserved

Scale: 1:5
Date: 08/04/2022

VL-104D Ver.1